



REX POWER MAGNETICS

A DIVISION OF TRANSFACTOR INDUSTRIES INC.
 65 BASALTIC RD, CONCORD, ON, CA L4K 1G4
 TEL: 905-695-8844 • FAX: 905-695-8855
 WWW.REXPOWERMAGNETICS.COM

ENERGY EFFICIENT TRANSFORMER

- 3 Phase Isolation
- Dry Type
- ANN Self Cooled
- Suitable for Nonsinusoidal Current Load with a K-Factor not to exceed 4

Purchaser: TBA
 PO#: TBA
 SWO#: TBA
 Qty: TBA

Coils: Aluminum
 Cat. No.: BA500J-M/K4/S1/Z3

kVA: 500
 Primary: 600 Delta Volts
 Secondary: 208 Y/120 Volts
 Primary Taps: 2.5 %
 -Taps FCAN 2
 -Taps FCBN 2

Frequency: 60 Hz

BIL: 10 kV
 Insulation Class: 220 °C
 Temperature Rise: 150 °C
 Impedance: 5.0 - 6.0 %

Min.Efficiency: 99.14 %
 -Calculated @ 35% Loaded

Weight: 3920 Lbs

Termination	Location	Terminals
Primary:	Front	Pads
Secondary:	Back	Pads

Wiring Connection:

Primary:	H1-H2-H3	Links:
Voltage	% Tap	
630	105.0	1-2
615	102.5	2-3
600	100.0	3-4
585	97.5	4-5
570	95.0	5-6

Secondary:	X0-X1-X2-X3	Connect Loads To:
Voltage	Phase	
208	3	X1-X2-X3
120	1	X0-X1, X0-X2, and/or X0-X3

Preliminary Drawing ONLY

This drawing may NOT truly reflect our final design. Any resulting order(s) must be accompanied by or refer to this drawing and be marked with any proposed changes

Standards:

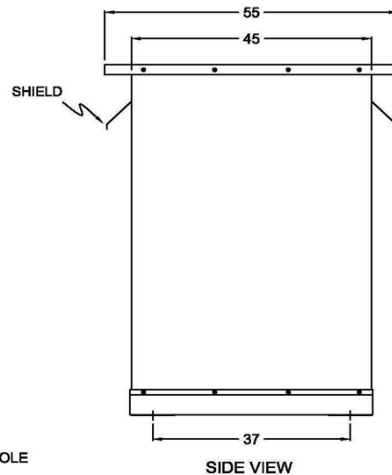
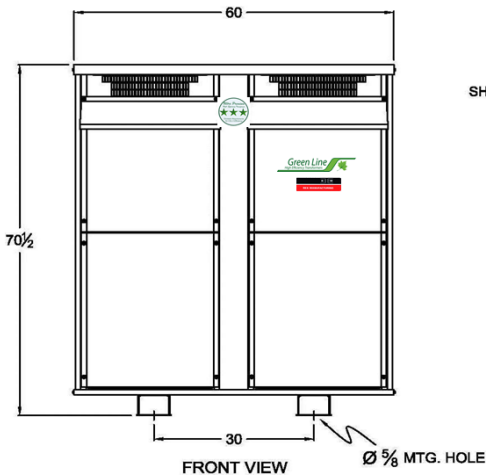
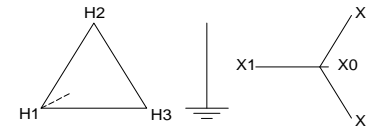
1. CSA Certified
- File No. LR34493
2. UL Listed
- File No. E108255

Standard Features:

1. Anti-vibration pads installed between the enclosure base and the core & coil assembly
2. Lug for Earth grounding provided
3. Neutral rated 200% of the line terminals
4. Seismic rated for USA zone 4 and Canada zone 6
5. Transformer meets DOE 2016 efficiency level

Special Features:

S1= Electrostatic shield installed between primary and secondary windings



CSA Enclosure:

1. Type 3R (NEMA 3R)
- Sprinklerproof when the angle between sprinkler heads and opening in the enclosure does not exceed 45 degree from the vertical.
2. Ventilated
3. ASA 61 grey
4. Floor mounting

Rev.	Remarks	By	Appr. By	Date

Prepared by: AG
 Approved by: VS
 Date: NOV.27, 2015