



REX POWER MAGNETICS

A DIVISION OF TRANSFACTOR INDUSTRIES INC.
65 BASALTIC RD, CONCORD, ON, CA L4K 1G4
TEL: 905-695-8844 FAX: 905-695-8855
WWW.REXPOWERMAGNETICS.COM

ENERGY EFFICIENT TRANSFORMER

- 3 Phase Isolation
- Dry Type
- ANN Self Cooled
- Suitable for Nonsinusoidal Current Load with a K-Factor not to exceed 4

Purchaser: TBA
PO#: TBA
SWO#: TBA
Qty: TBA

Preliminary Drawing ONLY

This drawing may NOT truly reflect our final design. Any resulting order(s) must be accompanied by or refer to this drawing and be marked with any proposed changes

Coils: Copper
Cat. No.: BC500H-M/K4/T80/Z3
kVA: 500
Primary: 480 Delta Volts
Secondary: 208 Y/120 Volts
Primary Taps: 2.5 %
-Taps FCAN 2
-Taps FCBN 2
Frequency: 60 Hz
BIL: 10 kV
Insulation Class: 220 °C
Temperature Rise: 80 °C
Impedance: 6.0 - 7.0 %
Min.Efficiency: 99.14 %
-Calculated @ 35% Loaded
Weight: 4320 Lbs

Table with 3 columns: Termination, Location, Terminals. Rows for Primary and Secondary.

Wiring Connection:

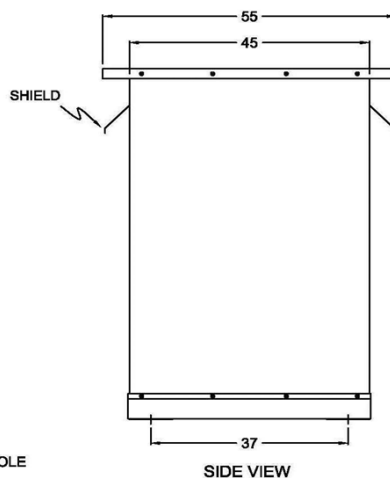
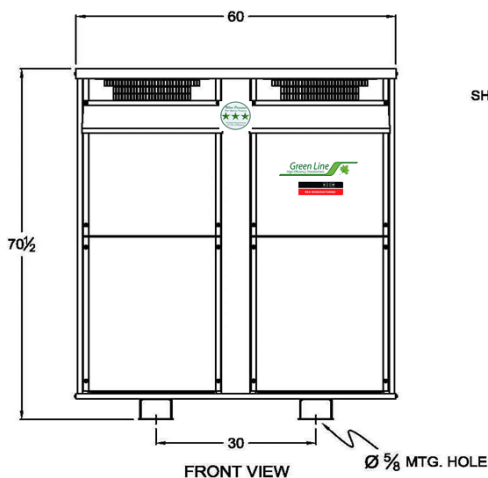
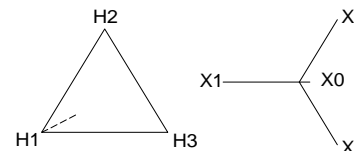
Table with 3 columns: Primary, Voltage, Links. Rows for Primary and Secondary.

Standards:

- 1. CSA Certified - File No. LR34493
2. UL Listed - File No. E108255

Standard Features:

- 1. Anti-vibration pads installed between the enclosure base and the core & coil assembly
2. Lug for Earth grounding provided
3. Neutral rated 200% of the line terminals
4. Seismic rated for USA zone 4 and Canada zone 6
5. Transformer meets DOE 2016 efficiency level



CSA Enclosure:

- 1. Type 3R (NEMA 3R) - Sprinklerproof when the angle between sprinkler heads and opening in the enclosure does not exceed 45 degree from the vertical.
2. Ventilated
3. ASA 61 grey
4. Floor mounting

Table with 5 columns: Rev., Remarks, By, Appr. By, Date.

Prepared by: AP
Approved by: VS
Date: OCT.15, 2015