

DRY TYPE TRANSFORMER SPECIFICATION

TRANSFORMER SPECIFICATION

| | |
|------------------|--------|
| RATING | 750kVA |
| COOLING | ANN |
| TEMPERATURE RISE | 150°C |
| PHASES | 3 |
| FREQUENCY | 60Hz |
| K-FACTOR | 9 |

| | PRIMARY | SECONDARY |
|-------------|----------|-----------|
| VOLTAGE | 208V | 208Y/120V |
| TAPS - FCAN | 1 x 5.0% | - |
| TAPS - FCBN | 1 x 5.0% | - |
| BIL | 10kV | 10kV |

| | |
|----------------------|--|
| CONDUCTOR | COPPER |
| WINDINGS | POLYESTER RESIN DIPPED |
| INSULATION CLASS | 220°C |
| IMPEDANCE (@ 170°C) | 4.0% - 6.0% |
| MIN EFFICIENCY | 99.23% @ 35% LOAD, 75°C |
| AVG. SOUND LEVEL | 64dBA |
| ELECTROSTATIC SHIELD | ELECTROSTATIC SHIELD INSTALLED BETWEEN PRI & SEC |
| EST. WEIGHT | 5235 lbs [2380kg] |

TERMINALS AND CABLE LUGS

| | PRIMARY | SECONDARY |
|-----------------|-------------------------------------|-----------|
| LOCATION | FRONT | REAR |
| LINE LUGS (/PH) | PADS | PADS |
| NEUTRAL LUGS | N/A | PADS |
| GROUND LUG | 600 MCM-2 AWG LUG ON ENCLOSURE BASE | |

WIRING / CONNECTIONS

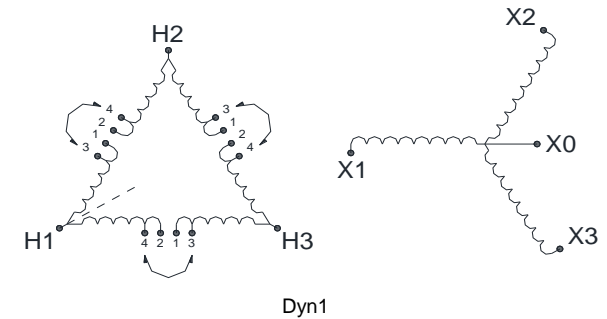
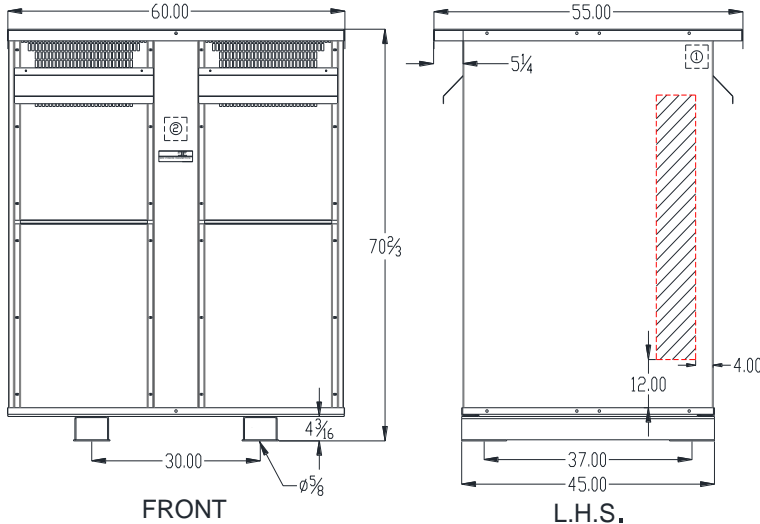
| PRIMARY: H1-H2-H3 | | |
|-------------------|--------|--------|
| VOLTAGE | % TAP | LINKS: |
| 218 | 105.0% | 1-2 |
| 208 | 100.0% | 2-3 |
| 198 | 95.0% | 3-4 |

| SECONDARY: X0-X1-X2-X3 | | |
|------------------------|-------|----------------------------|
| VOLTAGE | PHASE | CONNECT LOAD TO |
| 208 | 3 | X1-X2-X3 |
| 120 | 1 | X0-X1, X0-X2, AND/OR X0-X3 |

FEATURES

- NEOPRENE ANTI-VIBRATION PADS INSTALLED BETWEEN CORE & COIL AND ENCLOSURE BASE
- LUG FOR EARTH GROUNDING PROVIDED
- SUITABLE FOR NON-SINUSOIDAL CURRENT LOAD WITH K-FACTOR NOT TO EXCEED 9
- NEUTRAL SIZED FOR 200% OF LINE CURRENT
- SEISMIC RATED FOR USA ZONE 4 AND CANADA ZONE 6
- CSA CERTIFIED (FILE # LR34493)
- UL LISTED (FILE # E108255)
- ISO 9001 QUALITY MANAGEMENT SYSTEM
- EFFICIENCY MEETS OR EXCEEDS:
 - CANADA: SOR/DORS/2018-201 (NRCAN 2019)
 - CSA: CSA C802.2-18
 - USA: DOE 10 CFR PART 431:2016-01 (DOE 2016)

- 1) Location of nameplate and labels for Canada
 - 2) Location of nameplate and labels for USA
- *Recommended area for side cable entry (7'x55") on either side



ENCLOSURE

| | |
|------------------|-----------------------|
| ENCLOSURE PART # | E3R-11 |
| ENCLOSURE RATING | TYPE 3R (INDOOR)* |
| CONSTRUCTION | VENTILATED |
| MATERIAL | STEEL |
| FINISH | POLYESTER POWDER COAT |
| COLOR | ANSI/ASA 61 (GREY) |
| MOUNTING | FLOOR |

*SPRINKLERPROOF WHEN THE ANGLE BETWEEN SPRINKLER HEADS AND OPENING IN THE ENCLOSURE DOES NOT EXCEED 45 DEGREE FROM THE VERTICAL.

*FOR PROPER VENTILATION FOR FLOOR INSTALLATION KEEP AT LEAST 6 INCHES FROM ADJACENT WALLS

| REV | REMARKS | BY | DATE | PRELIMINARY DRAWING | PRODUCT | K-FACTOR RATED ISOLATION TRANSFORMER |
|-----|---------|----|------|---|-----------------|--------------------------------------|
| | | | | THIS DRAWING MAY NOT TRULY REFLECT OUR FINAL DESIGN. ANY ORDER(S) MUST BE ACCOMPANIED BY OR REFER TO THIS DRAWING. REX POWER MAGNETICS RESERVES THE RIGHT TO CHANGE OR REVISE THESE SPECIFICATIONS WITHOUT NOTICE | MODEL / CAT No. | BC750B-M/K9/S1/Z3 |
| | | | | | CUSTOMER | - |
| | | | | | PO # | - |
| | | | | | SWO # | - QTY - |
| | | | | | Prepared By | C.G. Date 8/18/2020 |
| | | | | | Approved By | Date - |

