

Single Phase Control Transformer
Endbell Construction
Standard Voltage: 600V - 120/240V
Dimensions are in inches

Fig. #	VA Rating	Overall Dimensions					Weight (Lbs)	Insulation Class and Temperature Rise
		A	B	C	Mounting Centre			
					D	E		
Fig. 1	25	3.00	6.00	3.50	1.38	4.38	3.0	130° 80°
	50	3.00	6.00	3.50	1.38	4.38	3.5	
	75	3.00	6.00	3.50	1.38	4.38	4.5	
	100	3.00	6.00	3.50	1.38	4.38	5.5	
	150	3.50	6.63	4.25	2.00	5.00	7.0	
	200	3.50	6.63	4.25	2.00	5.00	9.0	
	250	3.50	6.63	4.25	2.00	5.00	11.0	
	350	4.13	6.50	5.00	2.38	4.88	13.0	
	500	4.88	7.00	5.63	3.25	5.50	15.0	180° 115°
	750	4.88	7.00	5.63	3.25	5.50	19.5	
	1000	4.88	7.00	5.63	3.25	5.50	24.5	
	1500	5.75	9.00	6.63	4.00	7.25	31.0	
	2000	6.88	9.00	8.50	5.00	7.00	38.5	
	3000	6.88	9.00	8.50	5.00	7.00	58.0	
Fig. 2	5000	8.00	13.00	9.50	6.00	10.13	84.0	

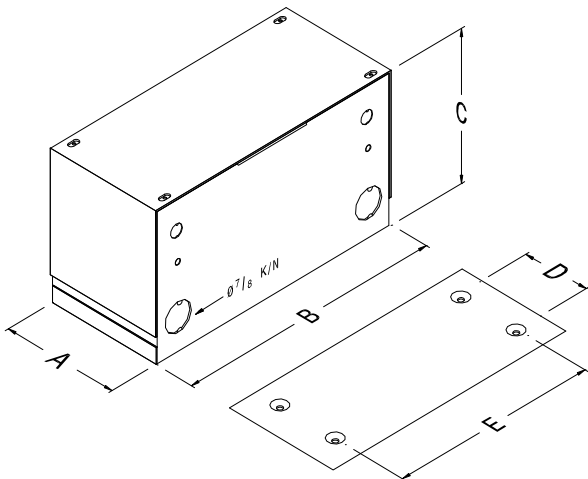


Fig. 1

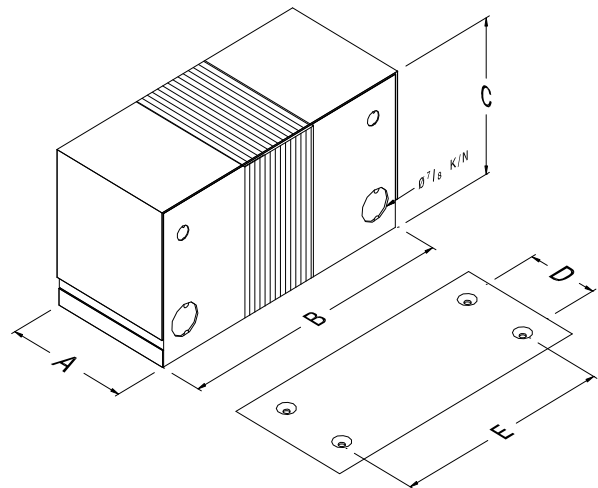


Fig. 2