

SECONDARY FUSING 250 VOLT MAXIMUM

FACTORY INSTALLED FUSE KIT SINGLE VOLTAGE: 250V MAX.

FUSE KIT:

- ① FUSE CLIPS (2 PIECES)
- ② JUMPER (1 PIECE)
- NOTE: FUSE IS NOT PROVIDED
FUSE SIZE: $1\frac{3}{32} \times 1\frac{1}{2}$

MAXIMUM APPLICABLE 1000VA & LESS
VA VS SECONDARY VOLTAGE

VOLT	12V	24V	120V
VA	250VA	500VA	1000VA

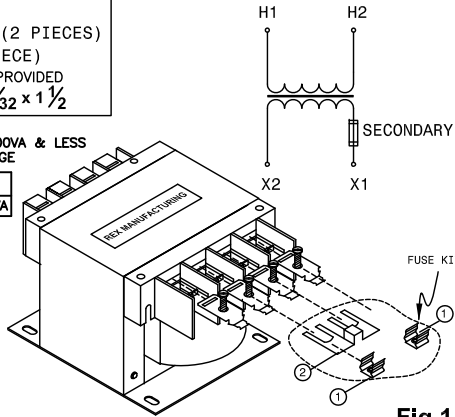


Fig.1 P/N: **F9**

FACTORY INSTALLED FUSE KIT OPTIONAL (BEING PHASED-OUT)
SINGLE VOLTAGE: 250V MAX.

FUSE KIT:

- ① FUSE CLIPS (2 PIECES)
- ② JUMPER (1 PIECE)
- NOTE: FUSE IS NOT PROVIDED
FUSE SIZE: $\frac{1}{4} \times 1\frac{1}{4}$

MAXIMUM APPLICABLE 1000VA & LESS
VA VS SECONDARY VOLTAGE

VOLT	12V	24V	120V
VA	250VA	500VA	1000VA

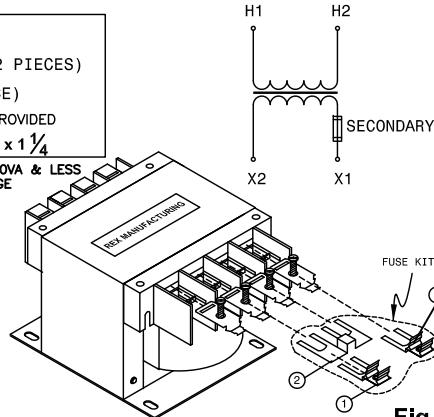
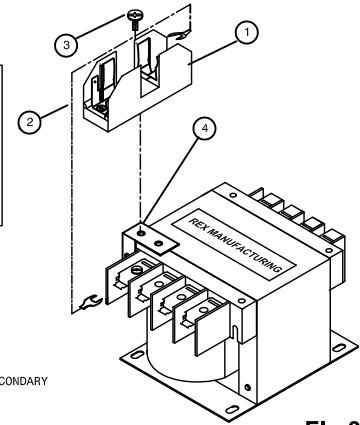
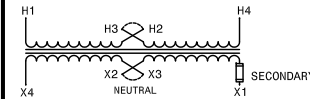


Fig.2

FOR DUAL OR SINGLE VOLTAGE OVER 250V

FUSE KIT:

- ① FUSE HOLDER
- ② LEAD
- ③ SCREW
- ④ MOUNTING BRACKET
- NOTE: FUSE IS NOT PROVIDED
FUSE SIZE: $1\frac{3}{32} \times 1\frac{1}{2}$



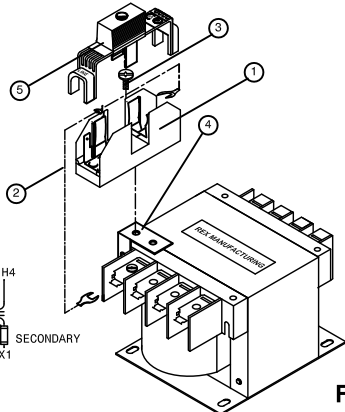
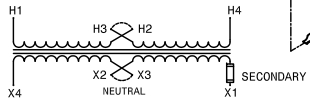
P/N: F10

Fig.3

FOR DUAL OR SINGLE VOLTAGE OVER 250V TOUCHSAFE

FUSE KIT:

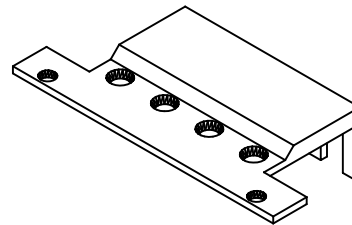
- ① FUSE HOLDER
- ② LEAD
- ③ SCREW
- ④ MOUNTING BRACKET
- ⑤ TOUCH SAFE COVER
- NOTE: FUSE IS NOT PROVIDED
FUSE SIZE: $1\frac{3}{32} \times 1\frac{1}{2}$



P/N: F11

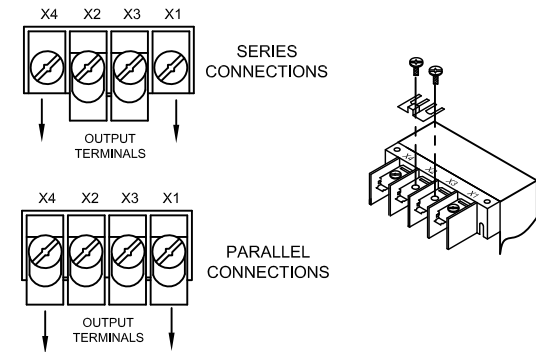
Fig.4

P/N: C4



TOUCH SAFE TERMINAL COVER WHEN FUSE KIT IS NOT INSTALLED.
FOR 4 TERMINALS MAXIMUM
FOR FIG. 1 OR FIG. 2

Fig.8

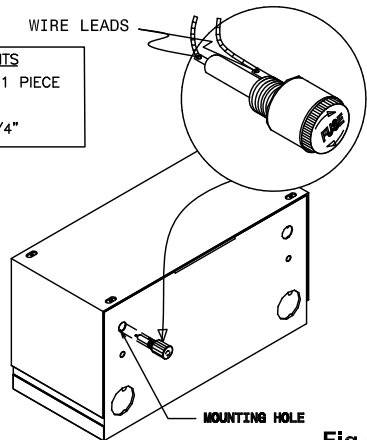
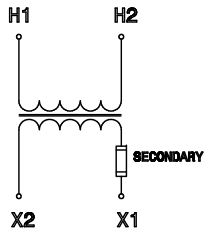


HOW TO CONNECT SERIES / PARALLEL CONNECTION

SINGLE VOLTAGE: 250V MAX.

WIRE LEADS

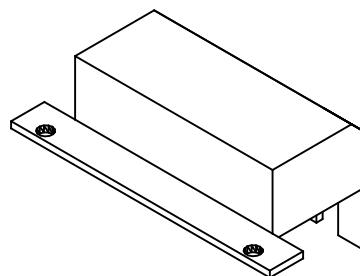
- FUSE KIT FOR ENCLOSED UNITS**
FUSE HOLDER C/W PIGTAILS 1 PIECE
NOTE: FUSE IS NOT PROVIDED
FUSE SIZE: $1/4 \times 1 - 1/4$ "



P/N: F12

Fig.5

P/N: C5



TOUCH SAFE TERMINAL COVER WHEN FUSE KIT IS INSTALLED.
FOR 4 TERMINALS MAXIMUM
FOR FIG. 1 OR FIG. 2

Fig.7

**NOTE: ANY STANDARD UP TO 250V
COMES COMPLETE WITH FUSE CLIP
AT NO CHARGE.**

2	HOW TO CONNECT SERIES / PARALLEL	AP	MAY 18, 2022
1	NOTES ADDED	SS	APR.15/03
REV.	REMARKS	BY	DATE

REM REX POWER MAGNETICS DIVISION OF TRANSFACTOR INDUSTRIES INC.			
SCALE: N.T.S.	DRAWN BY: LISA	DATE: OCT. 15, 2002	
JOB:	CHECKED BY: V.S	DATE: OCT. 15, 2002	
TITLE: 250 VOLT FUSE KIT			
DRAWING No.:			